

M3



NS 3058 -1/2 Ergänzung nach Art. 15a-B-VG



kg 655 kg

↑ 12 Pa

🔥 6 kW

🔄 4-10 kW

🏠 30 - 120 m²

See movie:



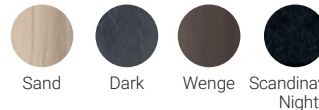
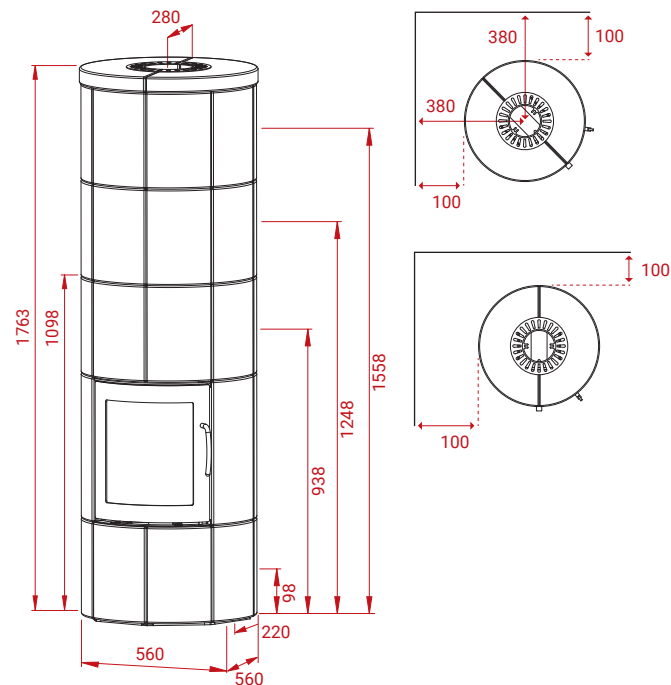
Mg/M³ 24

🕒 1,8 kg

📊 82%



M3



Other models in the series:

- M1
- M2
- M2 ST
- M4

Accessories:

- Extra stones for rear exhauston
- M9 - Baking sektion
- Universal glass floor plate
- Universal glass floor plate black

See the stoves online:



LOTUS HEATING SYSTEMS AS

Tlf. +45 6323 7070

www.lotusstoves.com

Email info@lotusstoves.com

M3 Sand



NS 3058
-1/2

Ergänzung
nach Art.
15a-B-VG



kg 583 kg

↑ 12 Pa

🔥 6 kW

🔄 4-10 kW

🏠 30 - 120 m²

See movie:



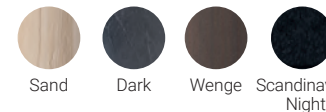
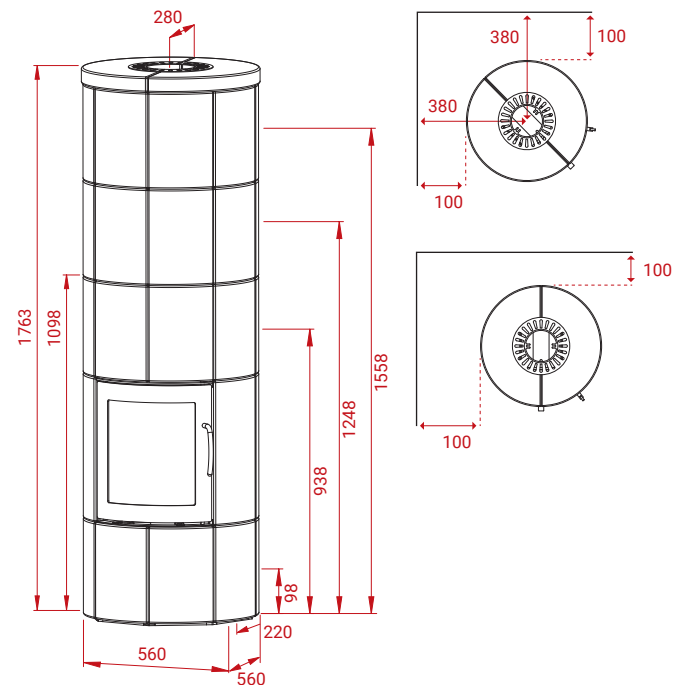
Mg/M³ 24

🕒 1,8 kg

📊 82%

 **LOTUS**
QUALITY FIRST

M3 Sand



Other models in the series:

M1
M2
M2 ST
M4

Accessories:

Extra stones for rear exhaust
M9 - Baking section
Universal glass floor plate
Universal glass floor plate black

See the stoves online:



 **LOTUS**
QUALITY FIRST

LOTUS HEATING SYSTEMS AS

Tlf. +45 6323 7070

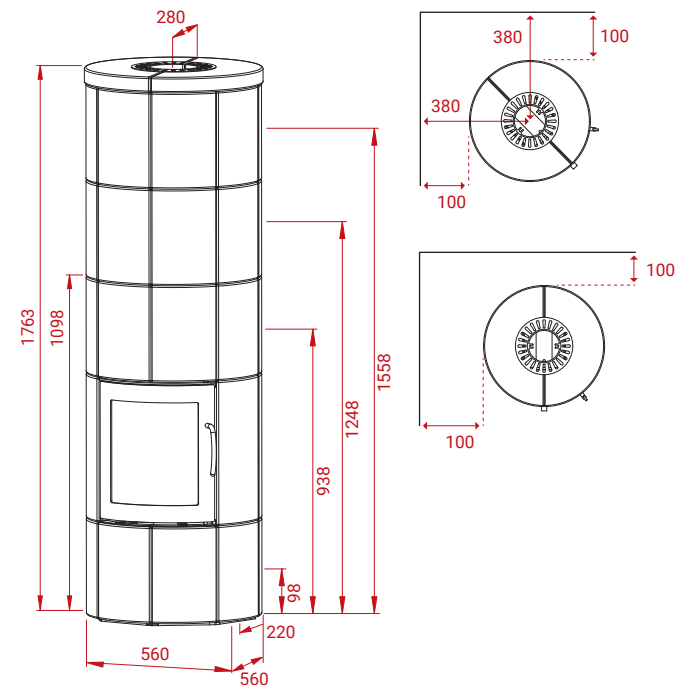
www.lotusstoves.com

Email info@lotusstoves.com

M3 Dark



M3 Dark



NS 3058
-1/2

Ergänzung
nach Art.
15a-B-VG



kg 655 kg

↑ 12 Pa

🔥 6 kW

🔄 4-10 kW

🏠 30 - 120 m²

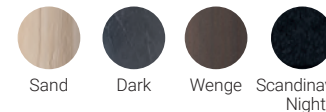
See movie:



Mg/M³ 24

🕒 1,8 kg

📊 82%



Other models in the series:

- M1
- M2
- M2 ST
- M4

Accessories:

- Extra stones for rear exhauston
- M9 - Baking sektion
- Universal glass floor plate
- Universal glass floor plate black

See the stoves online:



LOTUS HEATING SYSTEMS AS

Tlf. +45 6323 7070

www.lotusstoves.com

Email info@lotusstoves.com

M3 Dark



NS 3058
-1/2

Ergänzung
nach Art.
15a-B-VG



kg 655 kg

↑ 12 Pa

🔥 6 kW

🔄 4-10 kW

🏠 30 - 120 m²

See movie:



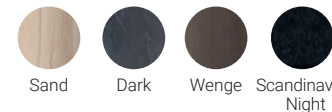
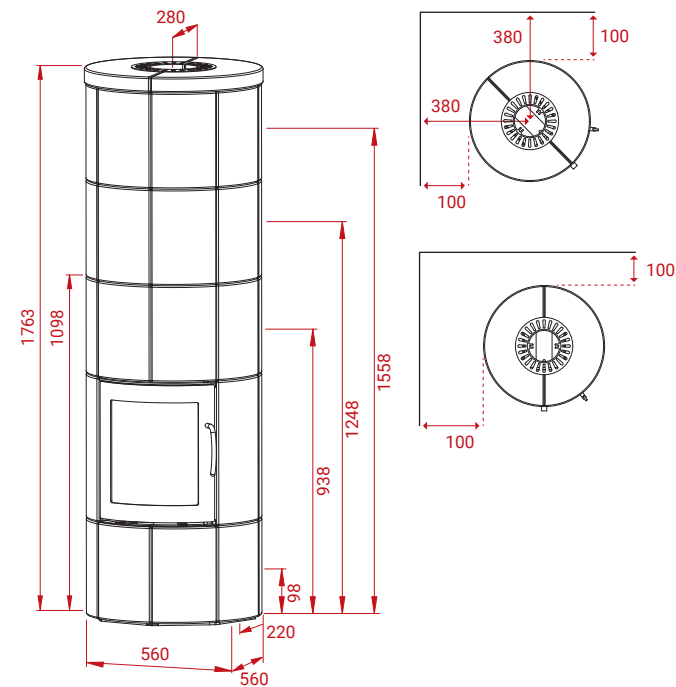
Mg/M³ 24

🕒 1,8 kg

📊 82%

 **LOTUS**
QUALITY FIRST

M3 Dark



Other models in the series:

- M1
- M2
- M2 ST
- M4

Accessories:

- Extra stones for rear exhauston
- M9 - Baking sektion
- Universal glass floor plate
- Universal glass floor plate black

See the stoves online:



 **LOTUS**
QUALITY FIRST

LOTUS HEATING SYSTEMS AS

Tlf. +45 6323 7070

www.lotusstoves.com

Email info@lotusstoves.com

M3 Wenge



NS 3058
-1/2

Ergänzung
nach Art.
15a-B-VG



kg 613 kg

↑ 12 Pa

🔥 6 kW

🔄 4-10 kW

🏠 30 - 120 m²

Mg/M³ 24

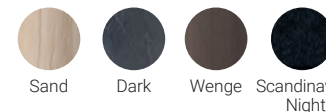
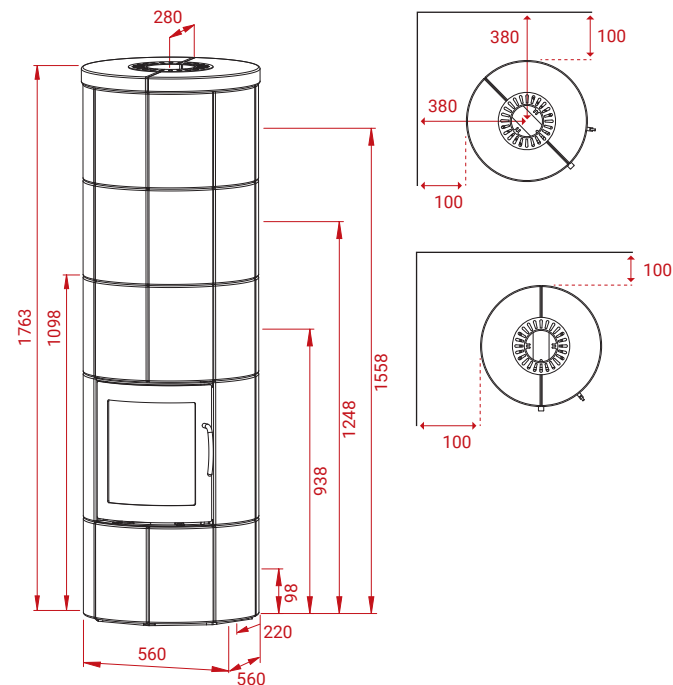
🕒 1,8 kg

📊 82%

See movie:



M3 Wenge



Other models in the series:

- M1
- M2
- M2 ST
- M4

Accessories:

- Extra stones for rear exhauston
- M9 - Baking sektion
- Universal glass floor plate
- Universal glass floor plate black

See the stoves online:



LOTUS HEATING SYSTEMS AS

Tlf. +45 6323 7070

www.lotusstoves.com

Email info@lotusstoves.com



M3 Scandinavian Night



NS 3058
-1/2

Ergänzung
nach Art.
15a-B-VG



kg 655 kg

↑ 12 Pa

🔥 6 kW

🔄 4-10 kW

🏠 30 - 120 m²

See movie:



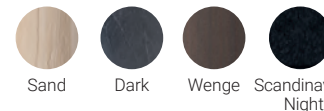
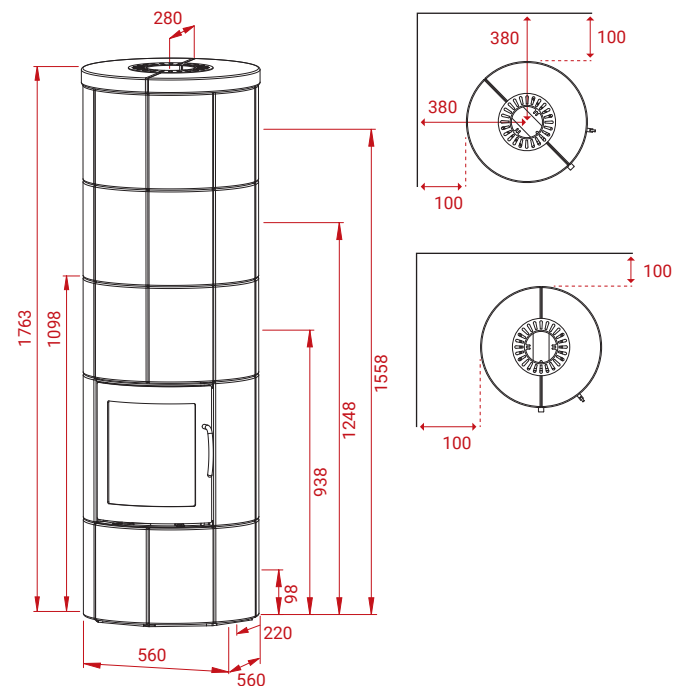
Mg/M³ 24

🕒 1,8 kg

📊 82%



M3 Scandinavian Night



Other models in the series:

- M1
- M2
- M2 ST
- M4

Accessories:

- Extra stones for rear exhauston
- M9 - Baking sektion
- Universal glass floor plate
- Universal glass floor plate black

See the stoves online:



LOTUS HEATING SYSTEMS AS

Tlf. +45 6323 7070

www.lotusstoves.com

Email info@lotusstoves.com