

# Living Base




NS  
3058  
-1/2

 190 kg

 12 Pa

 7 kW

 3-9 kW

 30 - 140 m<sup>2</sup>

See movie:



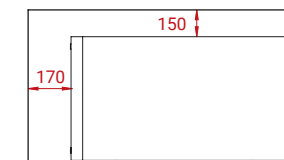
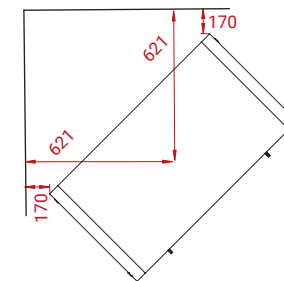
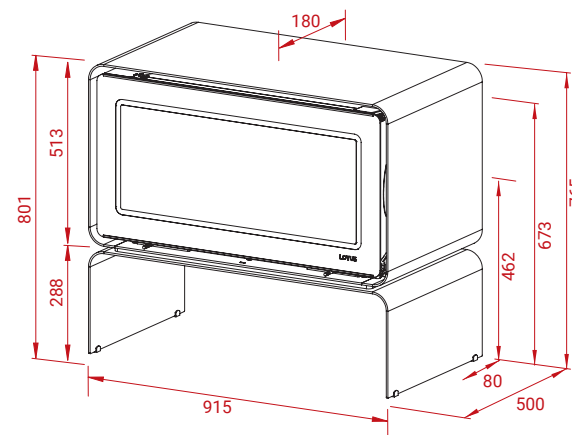
**Mg/M<sup>3</sup>** 19

 2 kg

 80,5%

 **LOTUS**  
QUALITY FIRST

# Living Base



## Other models in the series:

Living Cube  
Living Furniture

## Accessories:

Black glass for Living backside  
Outside Air Pipe - with 90° bending  
Outside Air Pipe - bottom connection  
Glass plate between legs  
Glass plate in front legs

See the stoves online:



 **LOTUS**  
QUALITY FIRST

**LOTUS HEATING SYSTEMS AS**

Tlf. +45 6323 7070

www.lotusstoves.com

Email info@lotusstoves.com