


Liva 6 G



NS
3058
-1/2




 150 kg


 12 Pa

 5 kW

 3-7 kW

 30 - 120 m²

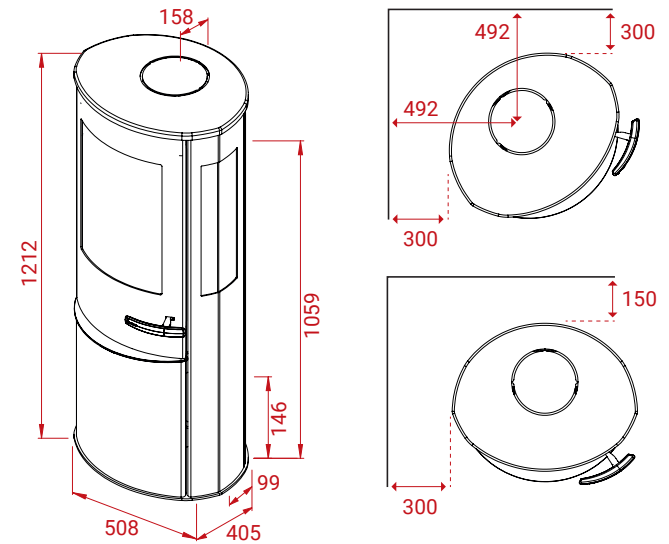
Mg/M³ 27

 1,7 kg

 78%

 **LOTUS**
QUALITY FIRST

Liva 6 G



See the stoves online:



Other models in the series:

Liva 5
Liva 5 G
Liva 5 S Grey
Liva 5 Sand
Liva 6
Liva 6 S Grey

Liva 7 G
Liva 8 G

Accessories:

Soapstone top plate
Comfort ECO Boost
Universal glass floor plate
Universal glass floor plate black

 **LOTUS**
QUALITY FIRST

LOTUS HEATING SYSTEMS AS

Tlf. +45 6323 7070

www.lotusstoves.com

Email info@lotusstoves.com