

Jubilee 35 S



NS 3058 -1/2 Ergänzung nach Art. 15a-B-VG



243 kg

12 Pa

7 kW

4-10 kW

30 - 120 m²

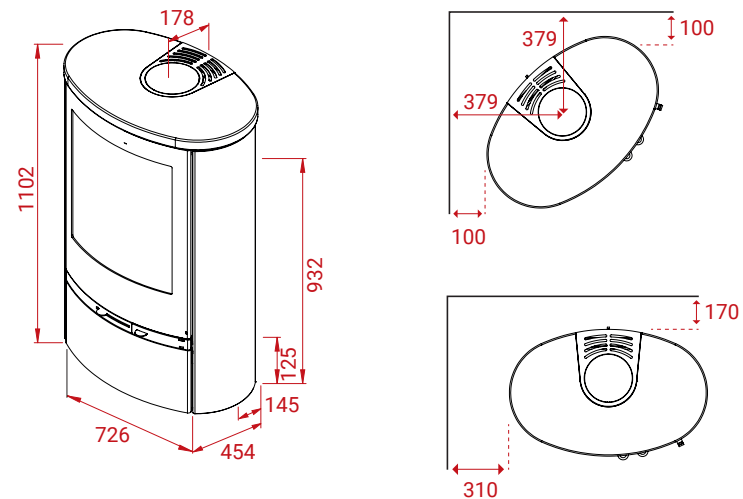
Mg/M³ 16

2 kg

82%

 **LOTUS**
QUALITY FIRST

Jubilee 35 S



See the stoves online:



Other models in the series:

Jubilee 35
Jubilee 35 Indian Night
Jubilee 35 - baking oven
Jubilee 35 S - baking oven
Jubilee 35 Indian Night - baking oven
Jubilee 35 M
Jubilee 35 M Indian Night

Accessories:

Jubilee 35 wood compartment door
Comfort ECO Boost

 **LOTUS**
QUALITY FIRST

LOTUS HEATING SYSTEMS AS

Tlf. +45 6323 7070

www.lotusstoves.com

Email info@lotusstoves.com