




# Jubilee 35



NS 3058 -1/2 Ergänzung nach Art. 15a-B-VG



-  192 kg
-  12 Pa
-  7 kW
-  4-10 kW
-  30 - 120 m<sup>2</sup>

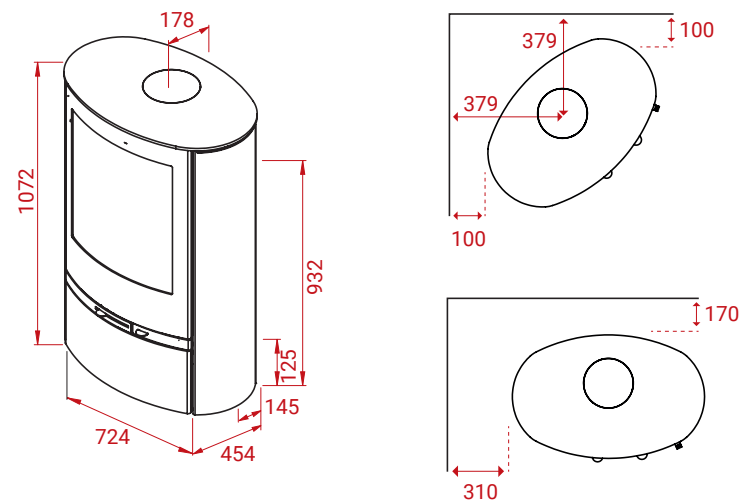
**Mg/M<sup>3</sup>** 16

 2 kg

 82%



# Jubilee 35



See the stoves online:



## Other models in the series:

- Jubilee 35 S
- Jubilee 35 Indian Night
- Jubilee 35 - baking oven
- Jubilee 35 S - baking oven
- Jubilee 35 Indian Night - baking oven
- Jubilee 35 M
- Jubilee 35 M Indian Night

## Accessories:

- Jubilee 35 wood compartment door
- Jubilee 35 Top plate Soapstone/Indian Night
- Comfort ECO Boost



**LOTUS HEATING SYSTEMS AS**

Tlf. +45 6323 7070

[www.lotusstoves.com](http://www.lotusstoves.com)

Email [info@lotusstoves.com](mailto:info@lotusstoves.com)