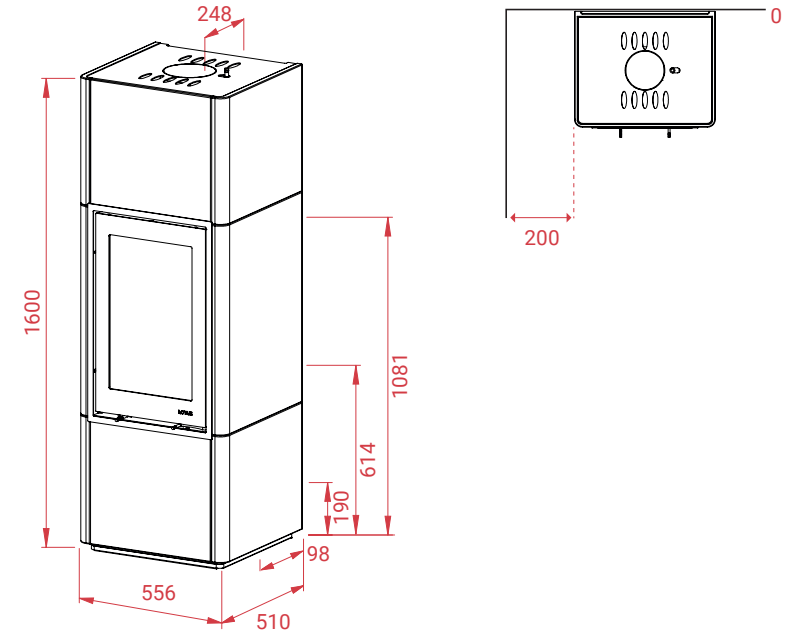







Beto 700M – Magic door



Beto 700M – Magic door



-  495 kg
-  12 Pa
-  5 kW
-  3-7 kW
-  30 - 120 m²

Mg/M³ 29

 1,7 kg

 83%



Other models in the series:

- Beto 470 – Magic door
- Beto 470M – Magic door
- Beto 470W – Magic door
- Beto 470WM – Magic door
- Beto 700 – Magic door

Accessories:

See the stoves online:



LOTUS HEATING SYSTEMS AS

Tlf. +45 6323 7070

www.lotusstoves.com

Email info@lotusstoves.com