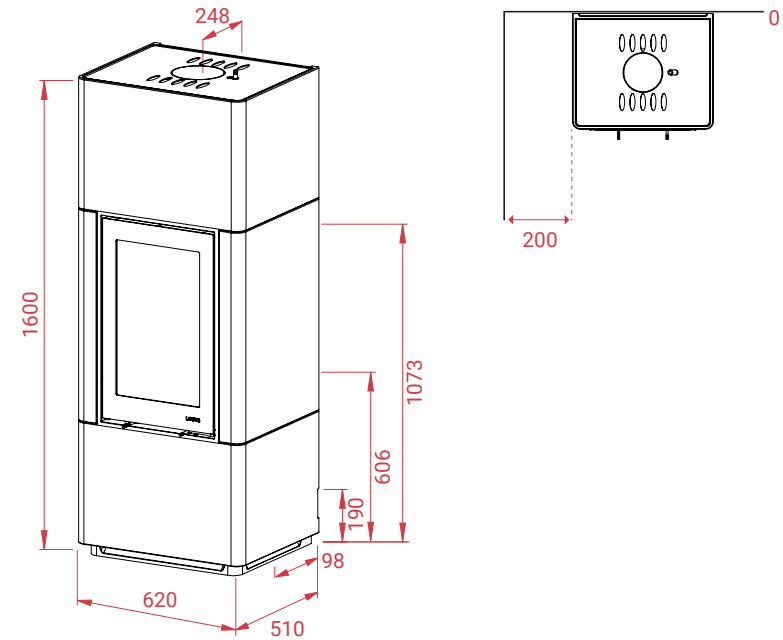


# Beto 700 – Magic door



# Beto 700 – Magic door



- 279 kg
- 12 Pa
- 5 kW
- 3-7 kW
- 30 - 120 m<sup>2</sup>

- Mg/M<sup>3</sup> 29
- 1,7 kg
- 83%



## Other models in the series:

- Beto 470 – Magic door
- Beto 470M – Magic door
- Beto 470W – Magic door
- Beto 470WM – Magic door
- Beto 700M – Magic door

## Accessories:

- PowerStones

See the stoves online:



LOTUS HEATING SYSTEMS AS

Tlf. +45 6323 7070

www.lotusstoves.com

Email info@lotusstoves.com