

Beto 470 – Magic door

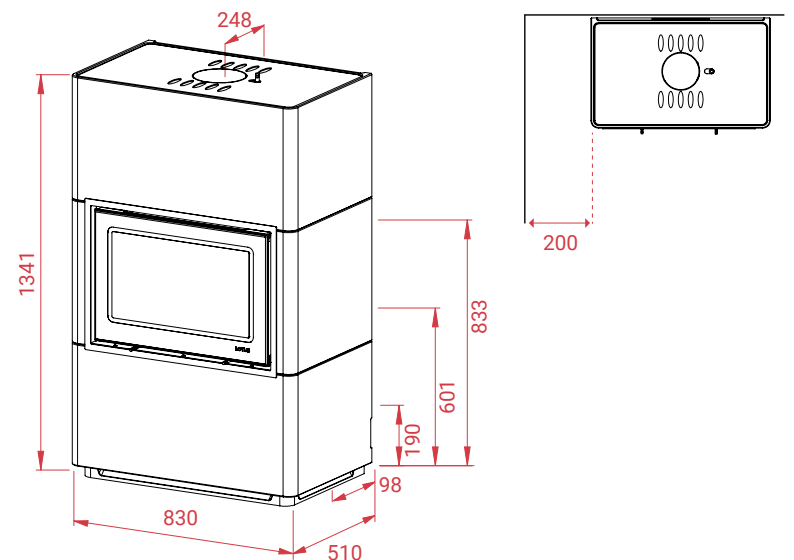


- 301 kg
- 12 Pa
- 6 kW
- 3-7 kW
- 30 - 120 m²

- Mg/M³ 18
- 1,7 kg
- 84%



Beto 470 – Magic door



Other models in the series:

- Beto 470M – Magic door
- Beto 470W – Magic door
- Beto 470WM – Magic door
- Beto 700 – Magic door
- Beto 700M – Magic door

Accessories:

- PowerStones

See the stoves online:



LOTUS HEATING SYSTEMS AS

Tlf. +45 6323 7070

www.lotusstoves.com

Email info@lotusstoves.com