

# QM40 Soapstone

A+



- 586 kg
- 1558 mm
- 520 mm
- 475 mm
- 1233 mm
- 30 - 125 m<sup>2</sup>

- EN 13 240**
- 12 Pa
  - 5,7 kW
  - Mg/M<sup>3</sup>** 6
  - 1,8 kg
  - 80%

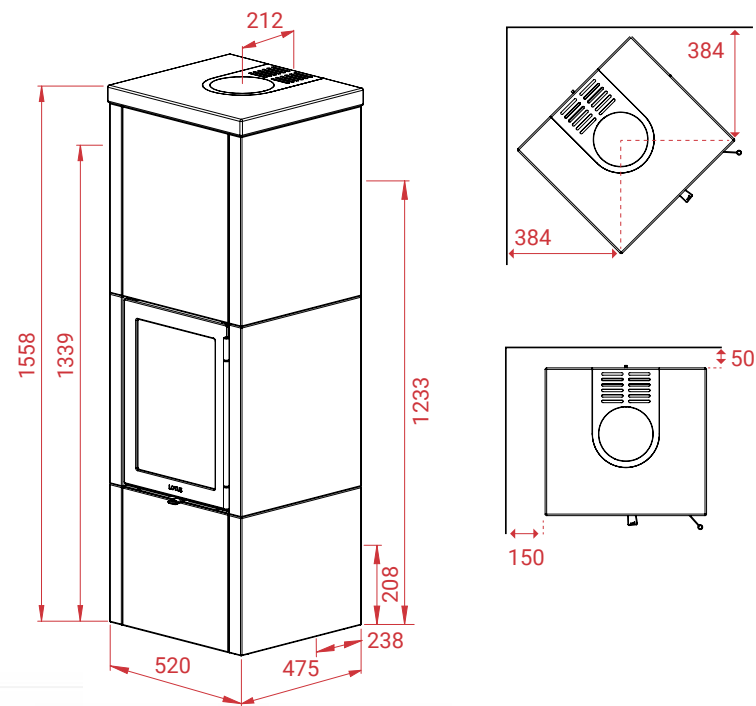
A+

- EN 15 250**
- 12 Pa
  - 2,2 kW
  - Mg/M<sup>3</sup>** 22
  - 8,8 kg/22 hours
  - 78%
  - 108 mj

A



# QM40 Soapstone



### Other models in the series:

- QM40 Indian Night
- QM40 Soapstone
- with baking section
- QM40 Indian Night
- with baking section

### Accessories:

- Optional handles



**LOTUS HEATING SYSTEMS AS**

Tlf. +45 6323 7070  
[www.lotusstoves.com](http://www.lotusstoves.com)  
 Email [info@lotusstoves.com](mailto:info@lotusstoves.com)