

QM40 Indian Night

A+



- 586 kg
- 1558 mm
- 520 mm
- 475 mm
- 1233 mm
- 30 - 125 m²

- EN 13 240**
- 12 Pa
 - 5,7 kW
 - Mg/M³** 6
 - 1,8 kg
 - 80%

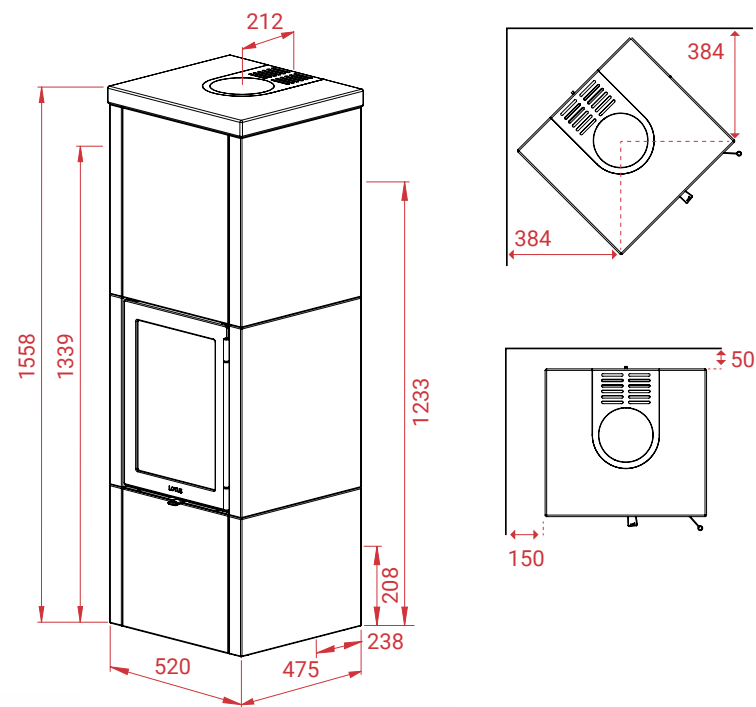
A+

- EN 15 250**
- 12 Pa
 - 2,2 kW
 - Mg/M³** 22
 - 8,8 kg/22 hours
 - 78%
 - 108 mj

A



QM40 Indian Night



Other models in the series:

- QM40 Soapstone
- QM40 Soapstone
- with baking section
- QM40 Indian Night
- with baking section

Accessories:

- Optional handles



LOTUS HEATING SYSTEMS AS

Tlf. +45 6323 7070
www.lotusstoves.com
 Email info@lotusstoves.com