

QM40 Indian Night - Baking section A+

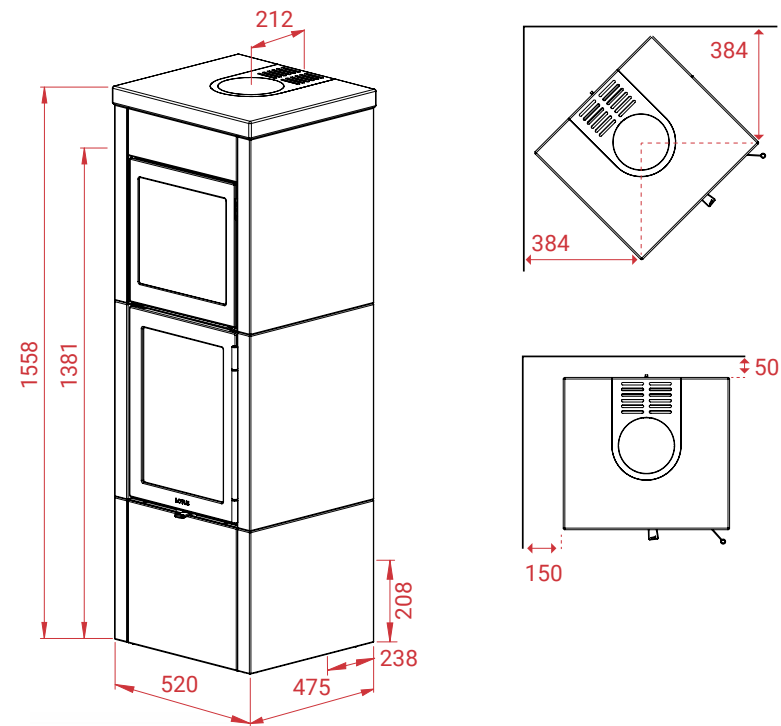


- 500 kg
- 1558 mm
- 520 mm
- 475 mm
- 30 - 125 m²

- EN 13 240**
- 12 Pa
- 5,7 kW
- Mg/M³** 6
- 1,8 kg
- 80%



QM40 Indian Night - Baking section



Other models in the series:

- QM40 Soapstone
- QM40 Indian Night
- QM40 Indian Soapstone
- with baking section

Accessories:

- Optional handles



LOTUS HEATING SYSTEMS AS

Tlf. +45 6323 7070

www.lotusstoves.com

Email info@lotusstoves.com