

# Prestige



NS 3058 -1/2 Ergänzung nach Art. 15a-B-VG



kg 149 kg

↑ 12 Pa

🔥 5 kW

🔄 3-7 kW

🏠 30 - 120 m<sup>2</sup>

See movie:



Mg/M<sup>3</sup> 19

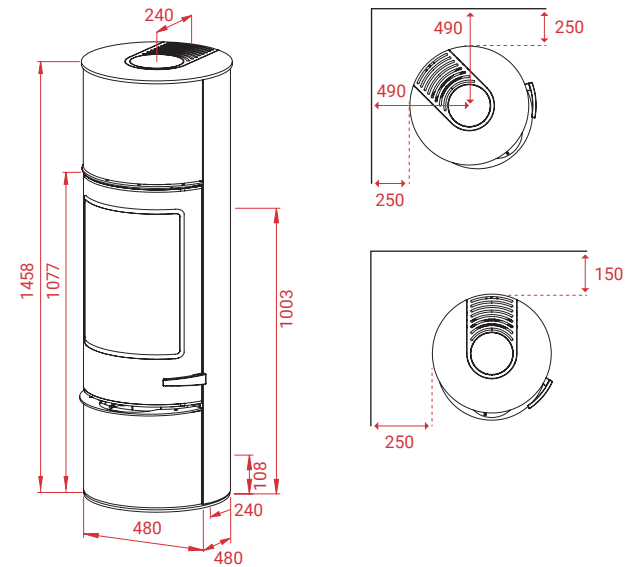
🕒 1,7 kg

📊 80,5%



 **LOTUS**  
QUALITY FIRST

# Prestige



## Other models in the series:

Prestige Magic  
Prestige S  
Prestige Integra  
Prestige MST

## Accessories:

Heat storage stone 52 kg  
Turning plate 360°  
Shaped floor plate glass - clear  
Shaped floor plate glass - Magic  
Comfort ECO Boost

See the stoves online:



 **LOTUS**  
QUALITY FIRST

**LOTUS HEATING SYSTEMS AS**

Tlf. +45 6323 7070

www.lotusstoves.com

Email info@lotusstoves.com

# Prestige Magic



NS 3058  
-1/2

Ergänzung  
nach Art.  
15a-B-VG



143 kg

12 Pa

5 kW

3-7 kW

30 - 120 m<sup>2</sup>

See movie:



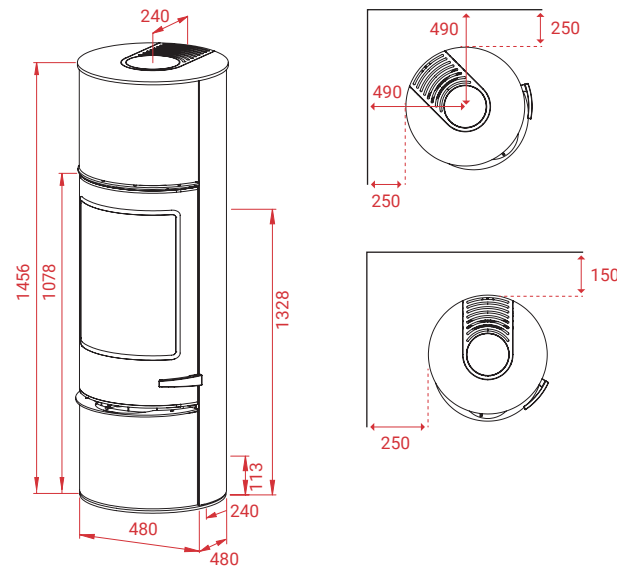
Mg/M<sup>3</sup> 19

1,7 kg

80,5%

 **LOTUS**  
QUALITY FIRST

# Prestige Magic



## Other models in the series:

Prestige  
Prestige S  
Prestige Integra  
Prestige MST

## Accessories:

Heat storage stone 52 kg  
Turning plate 360°  
Shaped floor plate glass - clear  
Shaped floor plate glass - Magic

See the stoves online:



 **LOTUS**  
QUALITY FIRST

**LOTUS HEATING SYSTEMS AS**

Tlf. +45 6323 7070

www.lotusstoves.com

Email info@lotusstoves.com

# Prestige S



NS 3058  
-1/2 Ergänzung nach Art. 15a-B-VG



343 kg

12 Pa

5 kW

3-7 kW

30 - 120 m<sup>2</sup>

See movie:



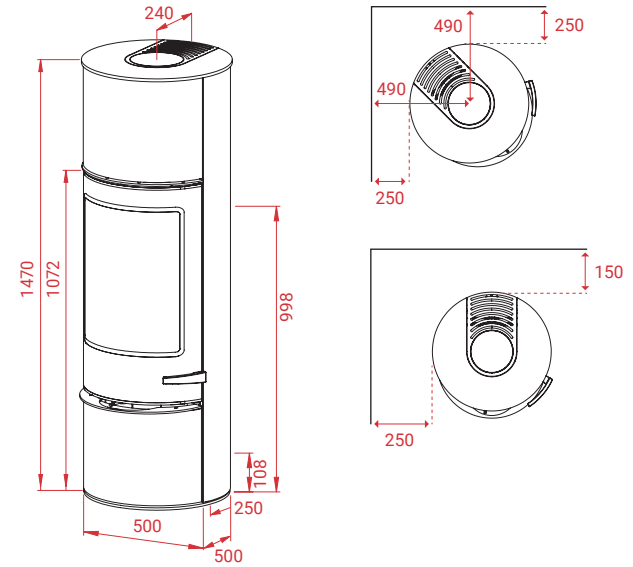
Mg/M<sup>3</sup> 19

1,7 kg

80,5%

 **LOTUS**  
QUALITY FIRST

# Prestige S



## Other models in the series:

Prestige  
Prestige Magic  
Prestige Integra  
Prestige MST

## Accessories:

Shaped floor plate glass - clear  
Shaped floor plate glass - Magic  
Comfort ECO Boost  
Extra stones for rear exhaust

See the stoves online:



 **LOTUS**  
QUALITY FIRST

**LOTUS HEATING SYSTEMS AS**

Tlf. +45 6323 7070

www.lotusstoves.com

Email info@lotusstoves.com

# Prestige Integra



NS 3058  
-1/2

Ergänzung  
nach Art.  
15a-B-VG



kg 125 kg

↑ 12 Pa

🔥 5 kW

↻ 3-7 kW

🏠 30 - 120 m<sup>2</sup>

See movie:



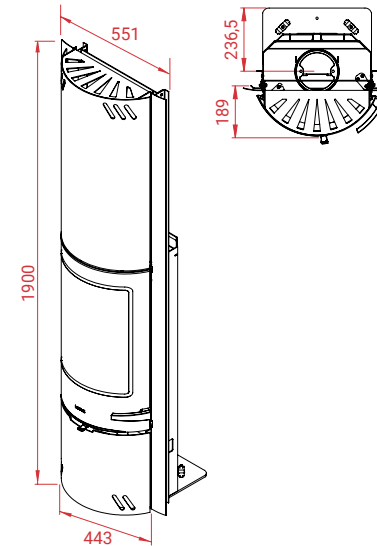
Mg/M<sup>3</sup> 19

🕒 1,7 kg

📊 80,5%

 **LOTUS**  
QUALITY FIRST

# Prestige Integra



## Other models in the series:

Prestige  
Prestige Magic  
Prestige S  
Prestige MST

## Accessories:

Heat storage 90 kg  
Comfort ECO Boost  
Universal glass floor plate  
Universal glass floor plate black

See the stoves online:



 **LOTUS**  
QUALITY FIRST

**LOTUS HEATING SYSTEMS AS**

Tlf. +45 6323 7070

www.lotusstoves.com

Email info@lotusstoves.com

# Prestige Basic Steel



NS  
3058  
-1/2

 127 kg

 12 Pa

 5 kW

 3-7 kW

 30 - 120 m<sup>2</sup>

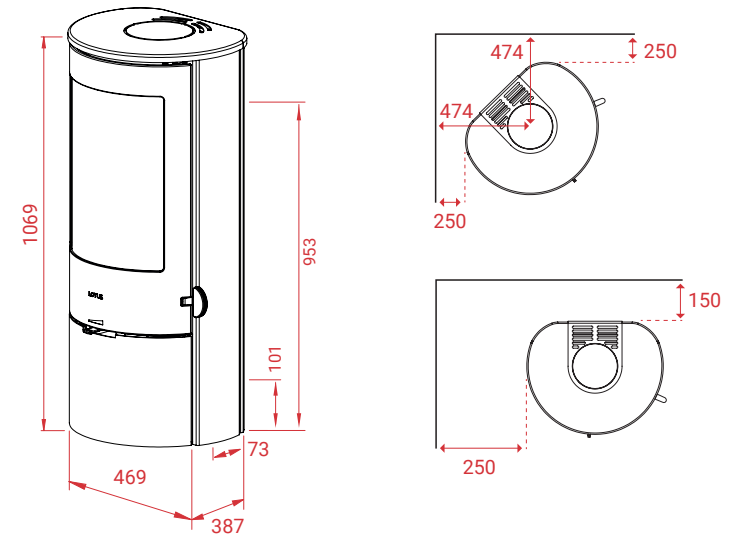
**Mg/M<sup>3</sup>** 19

 1,7 kg

 80,5%

 **LOTUS**  
QUALITY FIRST

# Prestige Basic Steel



## Other models in the series:

Prestige Basic Indian Night  
Prestige Basic S  
Prestige Basic M

 **LOTUS**  
QUALITY FIRST

**LOTUS HEATING SYSTEMS AS**

Tlf. +45 6323 7070


[www.lotusstoves.com](http://www.lotusstoves.com)

Email [info@lotusstoves.com](mailto:info@lotusstoves.com)

# Prestige Basic S



NS  
3058  
-1/2

 147 kg

 12 Pa

 5 kW

 3-7 kW

 30 - 120 m<sup>2</sup>

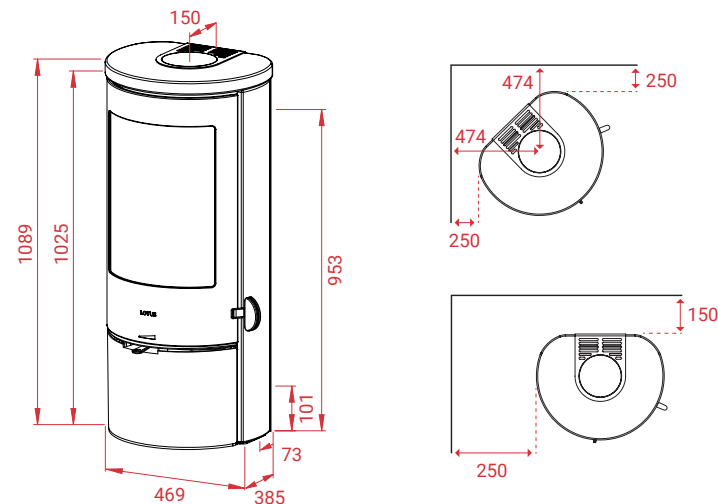
**Mg/M<sup>3</sup>** 19

 1,7 kg

 80,5%

 **LOTUS**  
QUALITY FIRST

# Prestige Basic S



## Other models in the series:

Prestige Basic Steel  
Prestige Basic Indian Night  
Prestige Basic M

 **LOTUS**  
QUALITY FIRST

**LOTUS HEATING SYSTEMS AS**

Tlf. +45 6323 7070

[www.lotusstoves.com](http://www.lotusstoves.com)

Email [info@lotusstoves.com](mailto:info@lotusstoves.com)

# Prestige Basic Indian Night





NS  
3058  
-1/2

 147 kg


 12 Pa

 5 kW

 3-7 kW

 30 - 120 m<sup>2</sup>

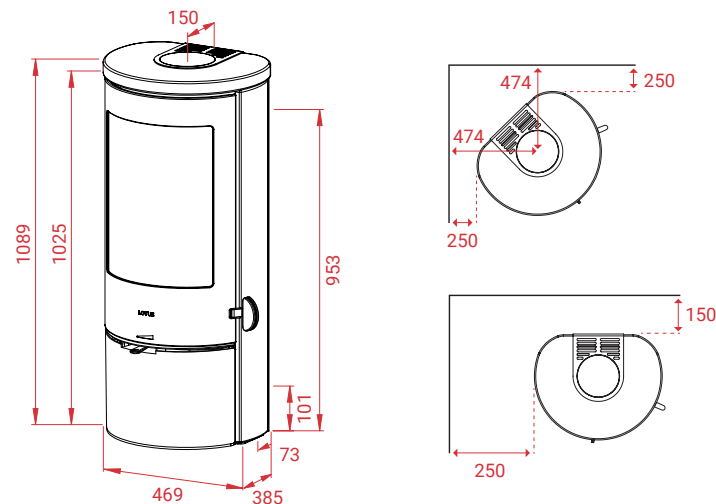
**Mg/M<sup>3</sup>** 19

 1,7 kg

 80,5%

 **LOTUS**  
QUALITY FIRST

# Prestige Basic Indian Night



## Other models in the series:

Prestige Basic Steel  
Prestige Basic S  
Prestige Basic M

 **LOTUS**  
QUALITY FIRST

**LOTUS HEATING SYSTEMS AS**

Tlf. +45 6323 7070

[www.lotusstoves.com](http://www.lotusstoves.com)

Email [info@lotusstoves.com](mailto:info@lotusstoves.com)

# Prestige M




NS  
3058  
-1/2

 356 kg

 12 Pa

 5 kW

 3-7 kW

 30 - 120 m<sup>2</sup>

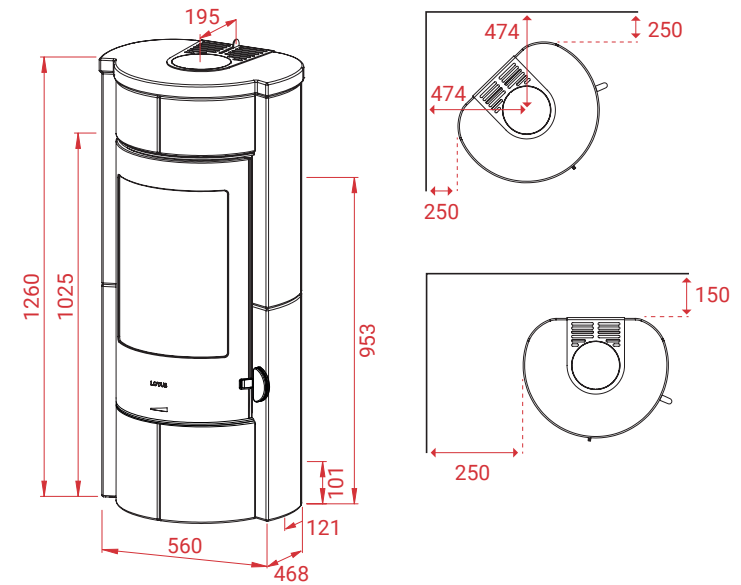
**Mg/M<sup>3</sup>** 19

 1,7 kg

 80,5%

 **LOTUS**  
QUALITY FIRST

# Prestige M



## Other models in the series:

Prestige Basic Steel  
Prestige Basic S  
Prestige Basic Indian Night

 **LOTUS**  
QUALITY FIRST

**LOTUS HEATING SYSTEMS AS**

Tlf. +45 6323 7070

[www.lotusstoves.com](http://www.lotusstoves.com)

Email [info@lotusstoves.com](mailto:info@lotusstoves.com)