

# Maestro 152 M

## Grey door



NS 3058 -1/2 Ergänzung nach Art. 15a-B-VG



510 kg

12 Pa

6 kW

4-10 kW

30 - 120 m<sup>2</sup>

Mg/M<sup>3</sup> 31

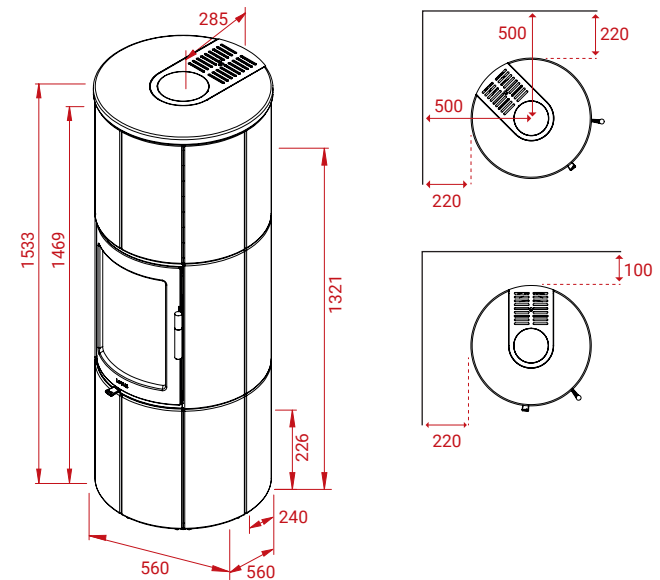
1,7 kg

83,5%

 **LOTUS**  
QUALITY FIRST

# Maestro 152 M

## Grey door



### Other models in the series:

Maestro 152 M – Black door  
 Maestro 152 M – Magic door  
 Maestro 152 Indian Night – Grey door  
 Maestro 152 Indian Night – Black door  
 Maestro 152 Indian Night – Magic door

### Accessories:

Extra stones for rear exhaustion  
 Universal glass floor plate  
 Universal glass floor plate black

See the stoves online:



 **LOTUS**  
QUALITY FIRST

**LOTUS HEATING SYSTEMS AS**

Tlf. +45 6323 7070

www.lotusstoves.com

Email info@lotusstoves.com

# Maestro 152 M

## Black door



NS 3058 -1/2 Ergänzung nach Art. 15a-B-VG



kg 510 kg

↑ 12 Pa

🔥 6 kW

🔄 4-10 kW

🏠 30 - 120 m<sup>2</sup>

Mg/M<sup>3</sup> 31

🕒 1,7 kg

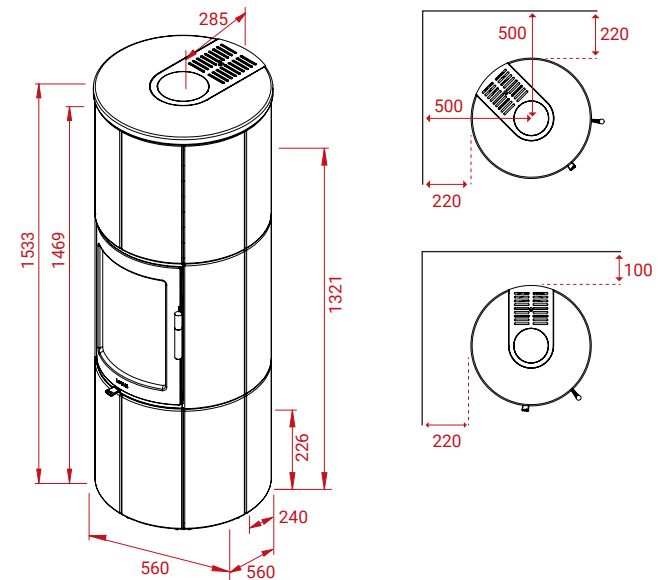
📊 83,5%



 **LOTUS**  
QUALITY FIRST

# Maestro 152 M

## Black door



### Other models in the series:

Maestro 152 M – Grey door  
 Maestro 152 M – Magic door  
 Maestro 152 Indian Night – Grey door  
 Maestro 152 Indian Night – Black door  
 Maestro 152 Indian Night – Magic door

### Accessories:

Extra stones for rear exhaust  
 Universal glass floor plate  
 Universal glass floor plate black

See the stoves online:



 **LOTUS**  
QUALITY FIRST

**LOTUS HEATING SYSTEMS AS**

Tlf. +45 6323 7070

www.lotusstoves.com

Email info@lotusstoves.com

# Maestro 152 M

## Magic door



NS 3058 -1/2 Ergänzung nach Art. 15a-B-VG



510 kg

12 Pa

6 kW

4-10 kW

30 - 120 m<sup>2</sup>

Mg/M<sup>3</sup> 31

1,7 kg

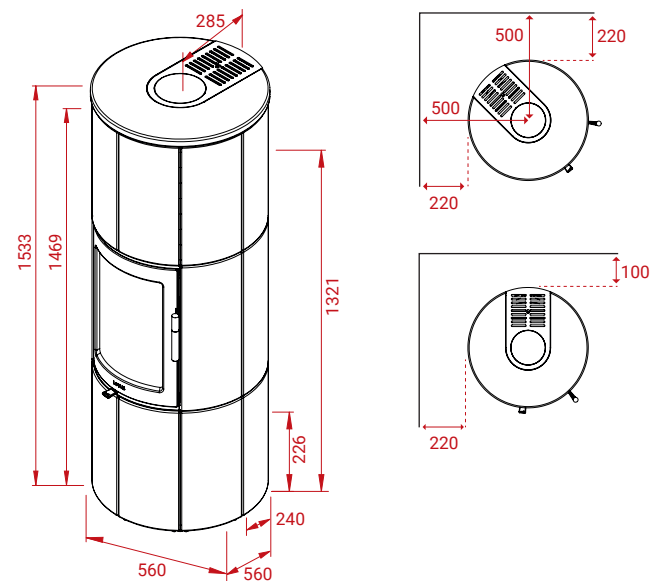
83,5%



**LOTUS**  
QUALITY FIRST

# Maestro 152 M

## Magic door



### Other models in the series:

Maestro 152 M – Grey door  
 Maestro 152 M – Black door  
 Maestro 152 Indian Night – Grey door  
 Maestro 152 Indian Night – Black door  
 Maestro 152 Indian Night – Magic door

### Accessories:

Extra stones for rear exhaust  
 Universal glass floor plate  
 Universal glass floor plate black

See the stoves online:



**LOTUS**  
QUALITY FIRST

LOTUS HEATING SYSTEMS AS

Tlf. +45 6323 7070

www.lotusstoves.com

Email info@lotusstoves.com

# Maestro 152 IN

## Grey door



NS 3058 -1/2 Ergänzung nach Art. 15a-B-VG



510 kg

12 Pa

6 kW

4-10 kW

30 - 120 m<sup>2</sup>

Mg/M<sup>3</sup> 31

1,7 kg

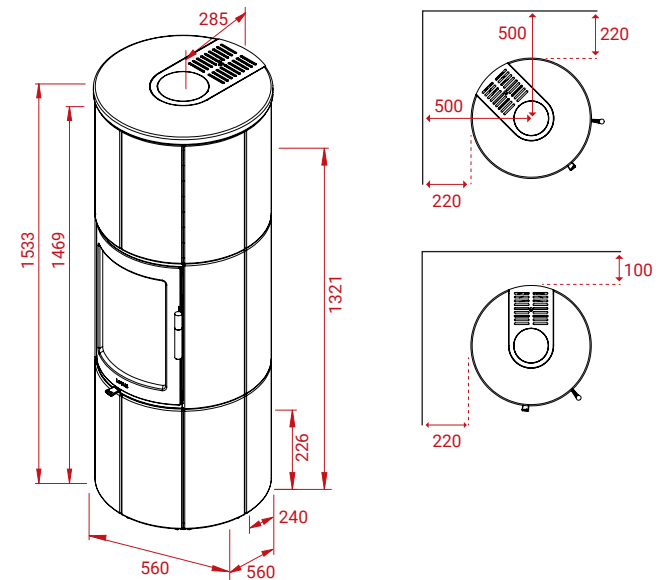
83,5%



 **LOTUS**  
QUALITY FIRST

# Maestro 152 IN

## Grey door



### Other models in the series:

Maestro 152 M – Grey door  
 Maestro 152 M – Black door  
 Maestro 152 M – Magic door  
 Maestro 152 Indian Night – Black door  
 Maestro 152 Indian Night – Magic door

### Accessories:

Extra stones for rear exhaust  
 Universal glass floor plate  
 Universal glass floor plate black

See the stoves online:



 **LOTUS**  
QUALITY FIRST

**LOTUS HEATING SYSTEMS AS**

Tlf. +45 6323 7070

www.lotusstoves.com

Email info@lotusstoves.com

# Maestro 152 IN

## Black door



NS 3058  
-1/2

Ergänzung  
nach Art.  
15a-B-VG



510 kg

12 Pa

6 kW

4-10 kW

30 - 120 m<sup>2</sup>

Mg/M<sup>3</sup> 31

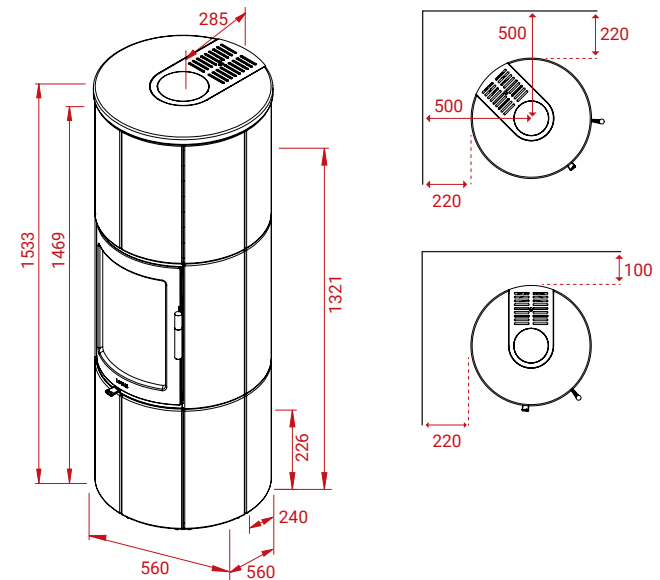
1,7 kg

83,5%

 **LOTUS**  
QUALITY FIRST

# Maestro 152 IN

## Black door



### Other models in the series:

- Maestro 152 M – Grey door
- Maestro 152 M – Black door
- Maestro 152 M – Magic door
- Maestro 152 Indian Night – Grey door
- Maestro 152 Indian Night – Magic door

### Accessories:

- Extra stones for rear exhaust
- Universal glass floor plate
- Universal glass floor plate black

See the stoves online:



 **LOTUS**  
QUALITY FIRST

**LOTUS HEATING SYSTEMS AS**

Tlf. +45 6323 7070

www.lotusstoves.com

Email info@lotusstoves.com

# Maestro 152 IN

## Magic door



NS 3058 -1/2 Ergänzung nach Art. 15a-B-VG



510 kg

12 Pa

6 kW

4-10 kW

30 - 120 m<sup>2</sup>

Mg/M<sup>3</sup> 31

1,7 kg

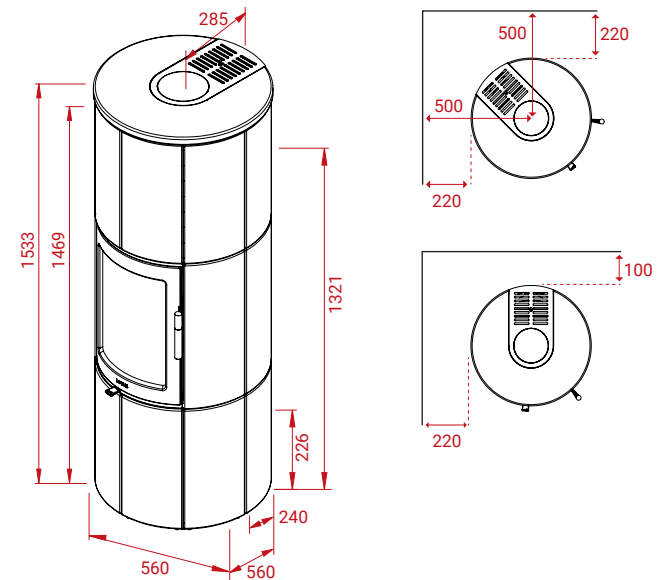
83,5%



**LOTUS**  
QUALITY FIRST

# Maestro 152 IN

## Magic door



### Other models in the series:

Maestro 152 M – Grey door  
 Maestro 152 M – Black door  
 Maestro 152 M – Magic door  
 Maestro 152 Indian Night – Grey door  
 Maestro 152 Indian Night – Black door

### Accessories:

Extra stones for rear exhaust  
 Universal glass floor plate  
 Universal glass floor plate black

See the stoves online:



**LOTUS**  
QUALITY FIRST

**LOTUS HEATING SYSTEMS AS**

Tlf. +45 6323 7070

www.lotusstoves.com

Email info@lotusstoves.com