

M2



NS 3058
-1/2

Ergänzung
nach Art.
15a-B-VG



545 kg

12 Pa

6 kW

4-10 kW

30 - 120 m²

See movie:



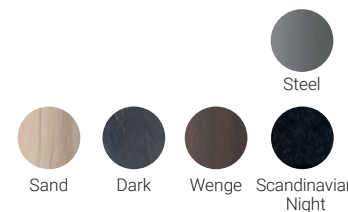
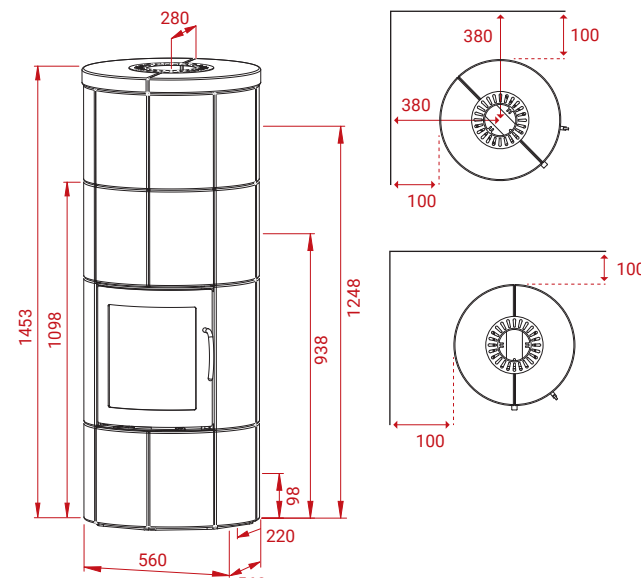
Mg/M³ 24

1,8 kg

82%

LOTUS
QUALITY FIRST

M2



Other models in the series:

- M1
- M2 ST
- M3
- M4

Accessories:

- Extra stones for rear exhaustion
- M9 - Baking section
- Universal glass floor plate
- Universal glass floor plate black

See the stoves online:



LOTUS
QUALITY FIRST

LOTUS HEATING SYSTEMS AS

Tlf. +45 6323 7070

www.lotusstoves.com

Email info@lotusstoves.com

M2 Sand



NS 3058
-1/2

Ergänzung
nach Art.
15a-B-VG



487 kg

12 Pa

6 kW

4-10 kW

30 - 120 m²

See movie:



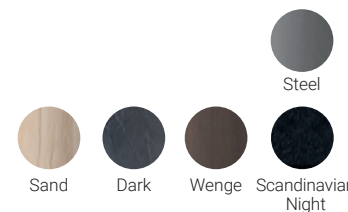
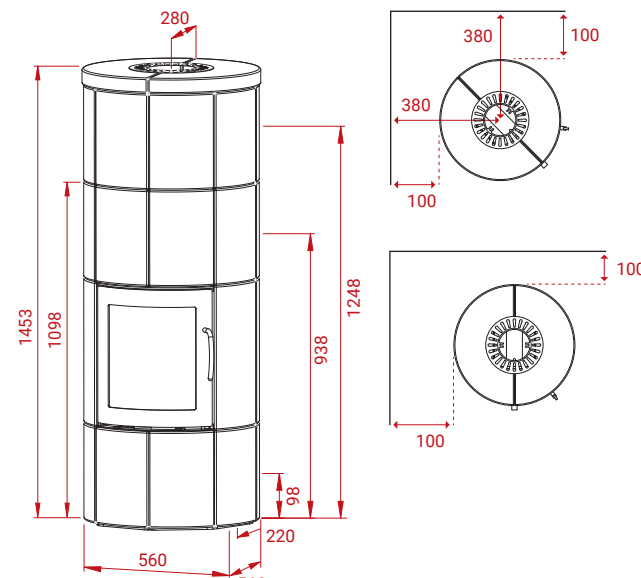
Mg/M³ 24

1,8 kg

82%



M2 Sand



Other models in the series:

- M1
- M2 ST
- M3
- M4

Accessories:

- Extra stones for rear exhaustion
- M9 - Baking section
- Universal glass floor plate
- Universal glass floor plate black

See the stoves online:



LOTUS HEATING SYSTEMS AS

Tlf. +45 6323 7070

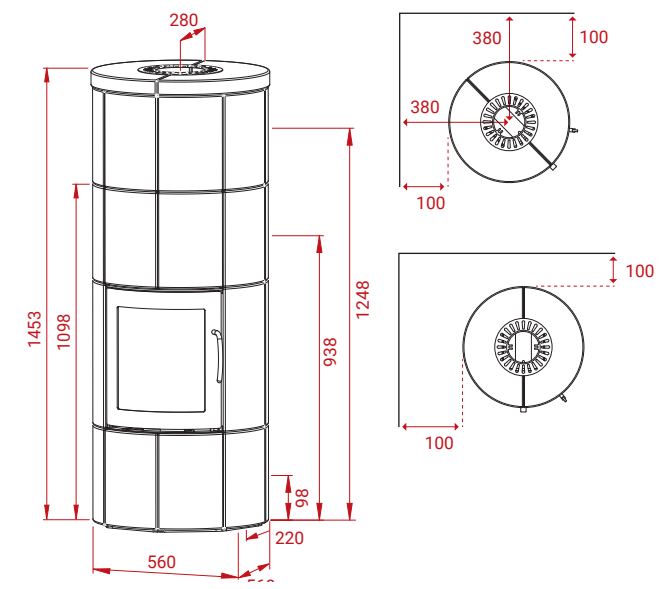
www.lotusstoves.com

Email info@lotusstoves.com

M2 Dark



M2 Dark



NS 3058 -1/2 Ergänzung nach Art. 15a-B-VG

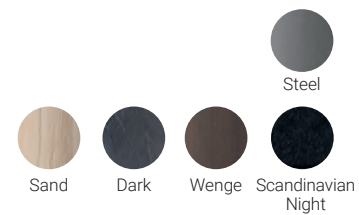


- 545 kg
- 12 Pa
- 6 kW
- 4-10 kW
- 30 - 120 m²

See movie:



- Mg/M³** 24
- 1,8 kg
- 82%



- Other models in the series:**
- M1
 - M2 ST
 - M3
 - M4

- Accessories:**
- Extra stones for rear exhaustion
 - M9 - Baking section
 - Universal glass floor plate
 - Universal glass floor plate black

See the stoves online:



LOTUS HEATING SYSTEMS AS
 Tlf. +45 6323 7070
 www.lotusstoves.com
 Email info@lotusstoves.com

M2 Wenge



NS 3058 -1/2
Ergänzung nach Art. 15a-B-VG



- 512 kg
- 12 Pa
- 6 kW
- 4-10 kW
- 30 - 120 m²

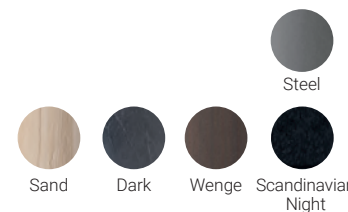
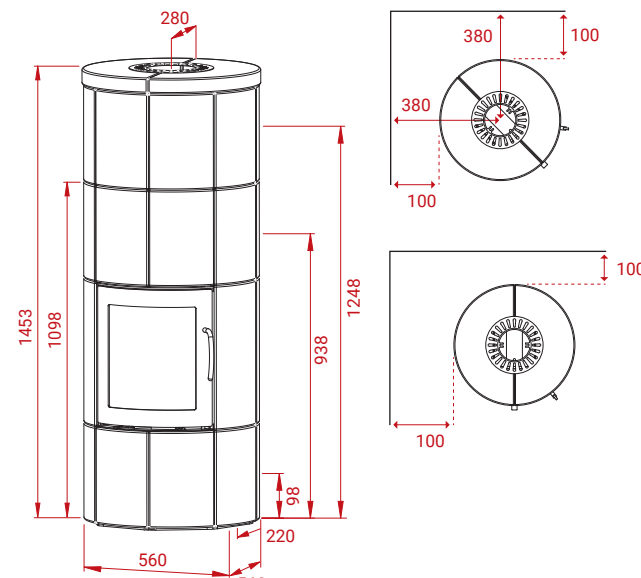
See movie:



- Mg/M³** 24
- 1,8 kg
- 82%



M2 Wenge



Other models in the series:

- M1
- M2 ST
- M3
- M4

Accessories:

- Extra stones for rear exhaustion
- M9 - Baking section
- Universal glass floor plate
- Universal glass floor plate black

See the stoves online:



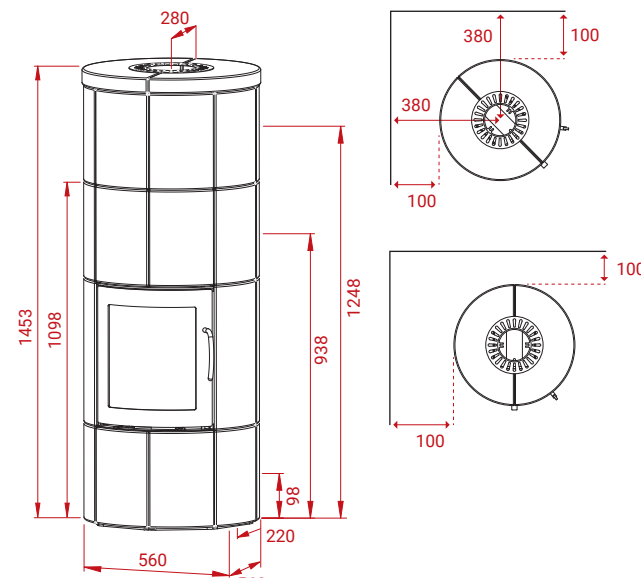
LOTUS HEATING SYSTEMS AS

Tlf. +45 6323 7070
www.lotusstoves.com
Email info@lotusstoves.com

M2 Scandinavian Night



M2 Scandinavian Night



NS 3058
-1/2

Ergänzung
nach Art.
15a-B-VG



kg 545 kg

↑ 12 Pa

🔥 6 kW

🔄 4-10 kW

🏠 30 - 120 m²

See movie:



Mg/M³ 24

🕒 1,8 kg

📊 82%



Sand



Dark



Wenge



Steel



Scandinavian
Night

Other models in the series:

- M1
- M2 ST
- M3
- M4

Accessories:

- Extra stones for rear exhauston
- M9 - Baking sektion
- Universal glass floor plate
- Universal glass floor plate black

See the stoves online:



LOTUS HEATING SYSTEMS AS

Tlf. +45 6323 7070

www.lotusstoves.com

Email info@lotusstoves.com