





QM40 Soapstone - Baking section A+

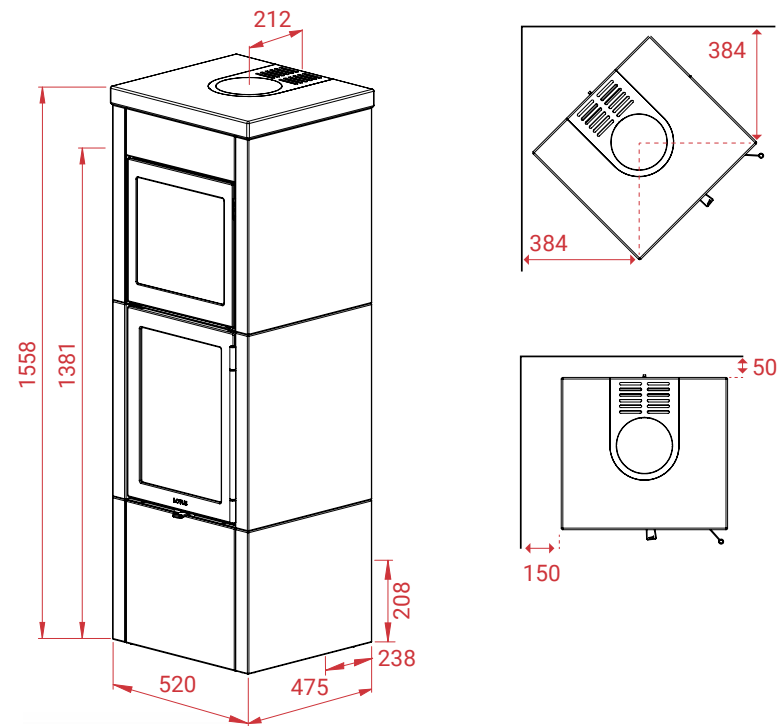


-  586 kg
-  1558 mm
-  520 mm
-  475 mm
-  30 - 125 m²

- EN 13 240**
-  12 Pa
-  5,7 kW
- Mg/M³** 6
-  1,8 kg
-  80%



QM40 Soapstone - Baking section



Other models in the series:

- QM40 Soapstone
- QM40 Indian Night
- QM40 Indian Night - with baking section

Accessories:

- Optional handles



LOTUS HEATING SYSTEMS AS

Tlf. +45 6323 7070

www.lotusstoves.com

Email info@lotusstoves.com